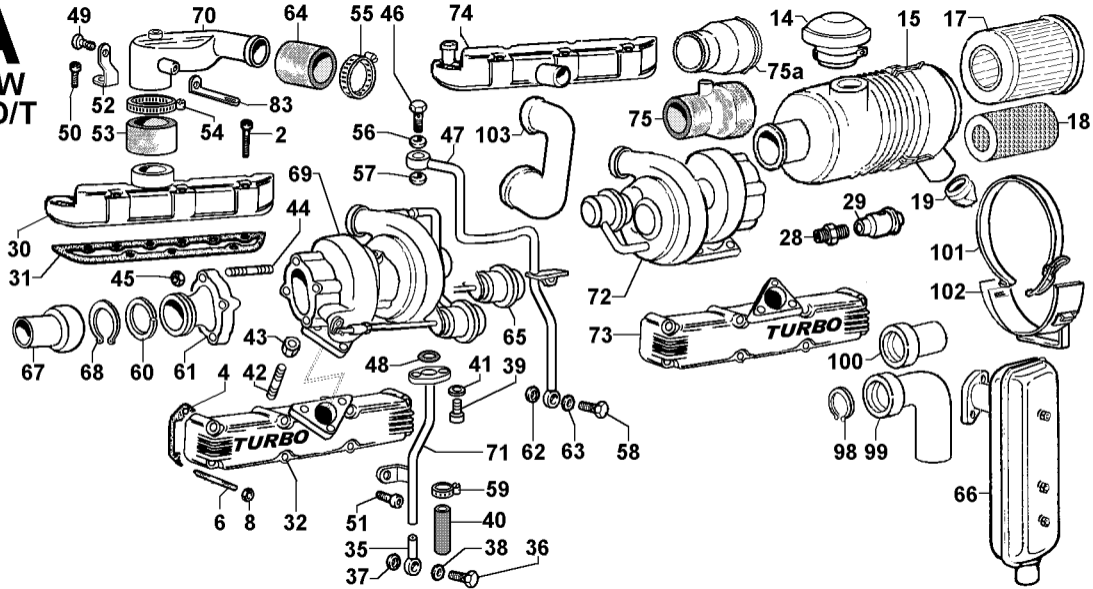
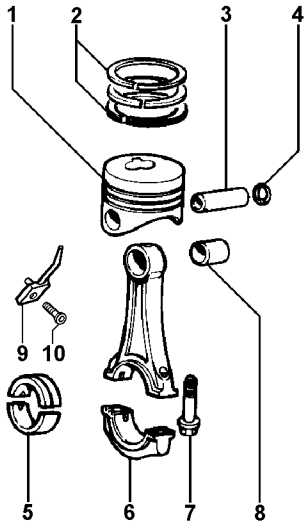


A
LDW
CHD/T



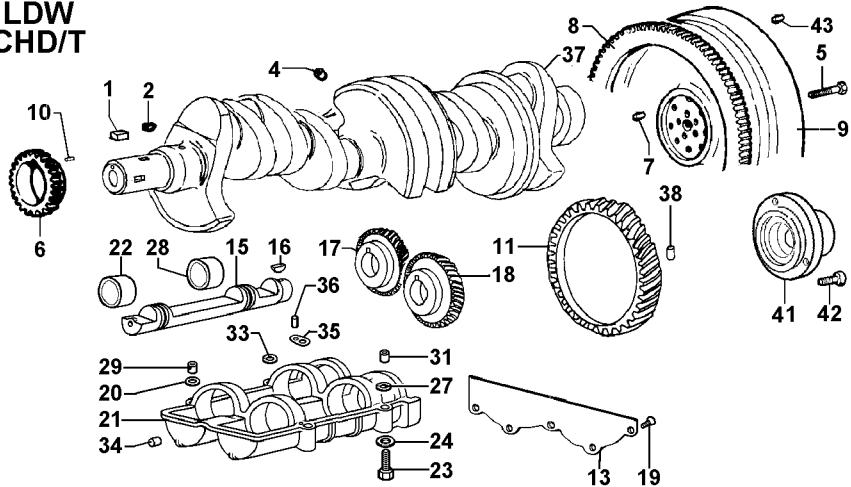
B

LDW
CHD/T



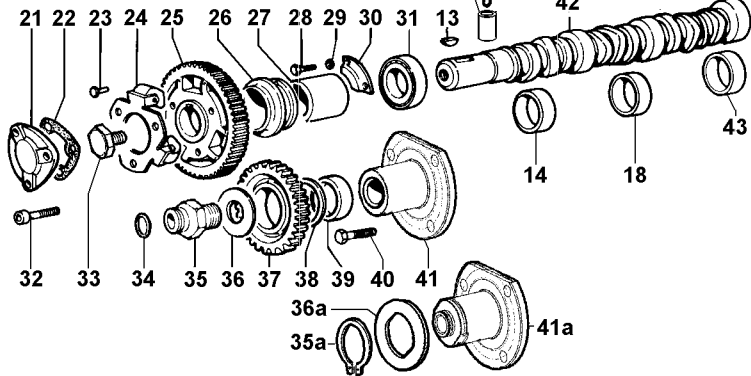
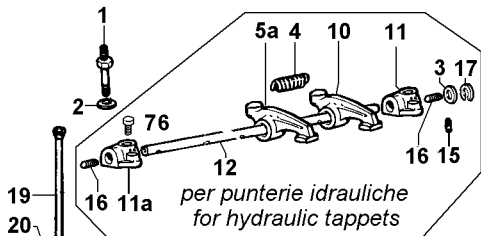
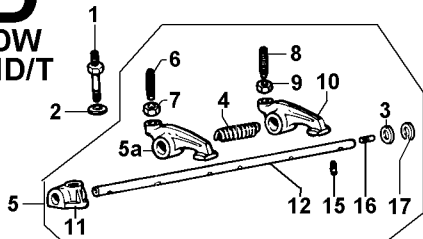
C

LDW
CHD/T



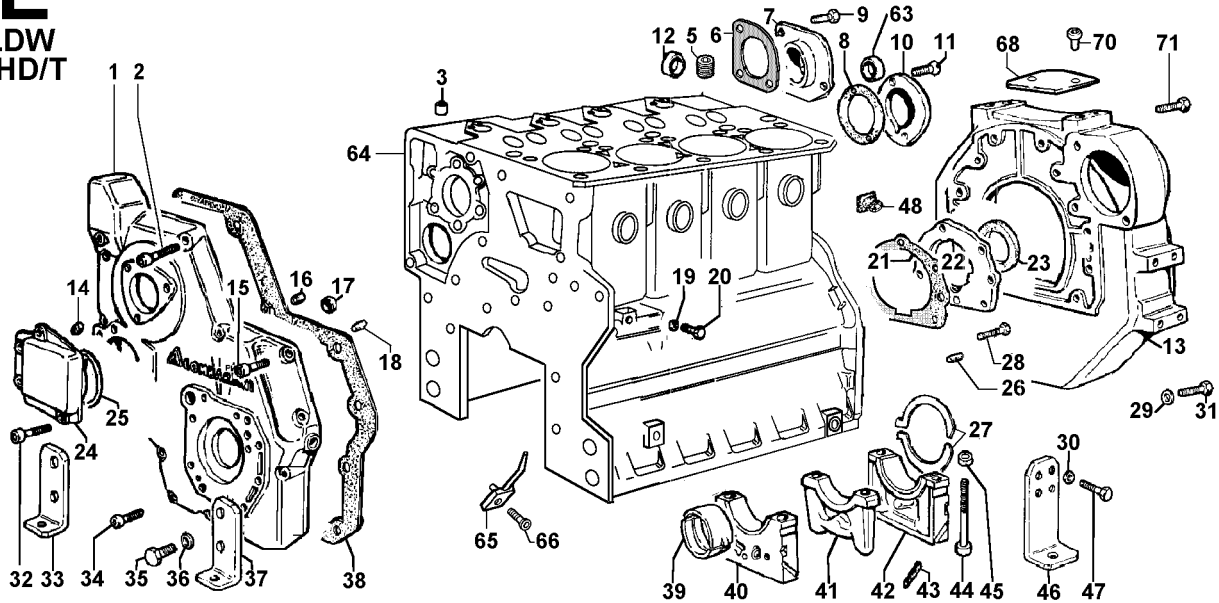
D

LDW
CHD/T



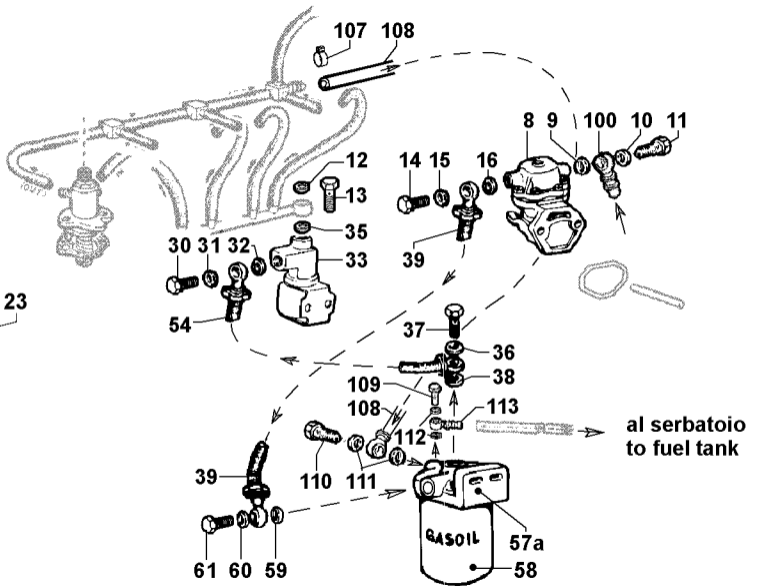
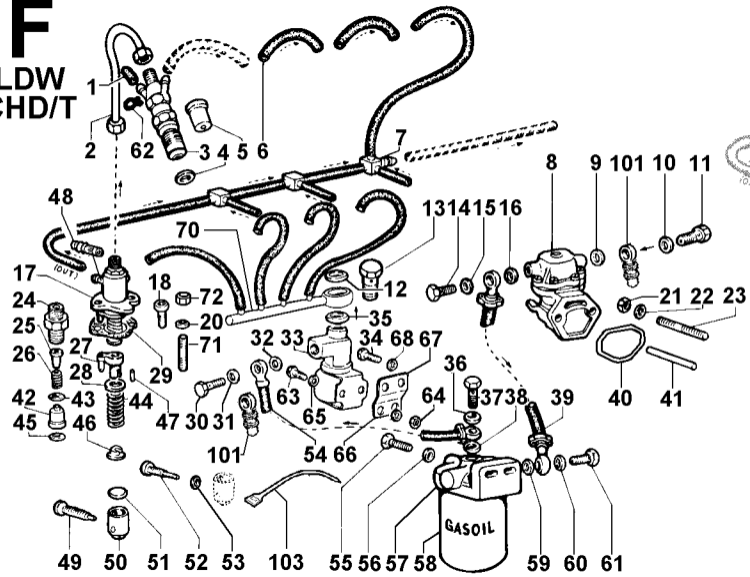
E

LDW CHD/T



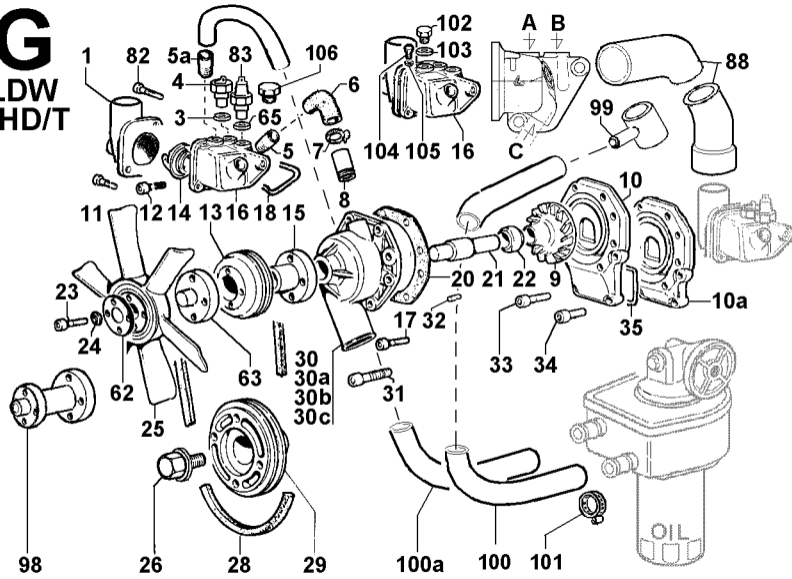
F

LDW CHD/T



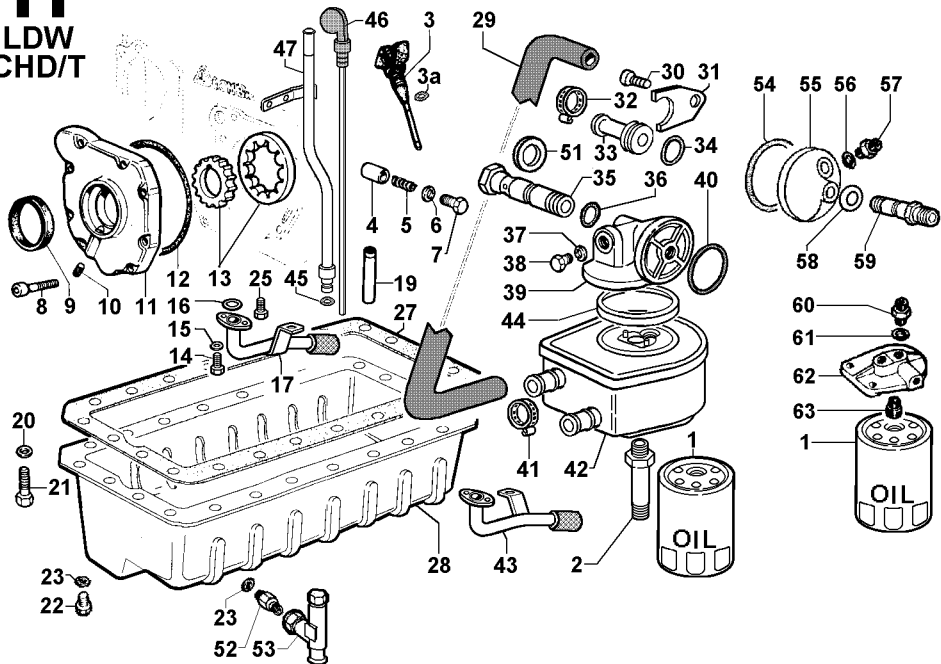
G

LDW
CHD/T

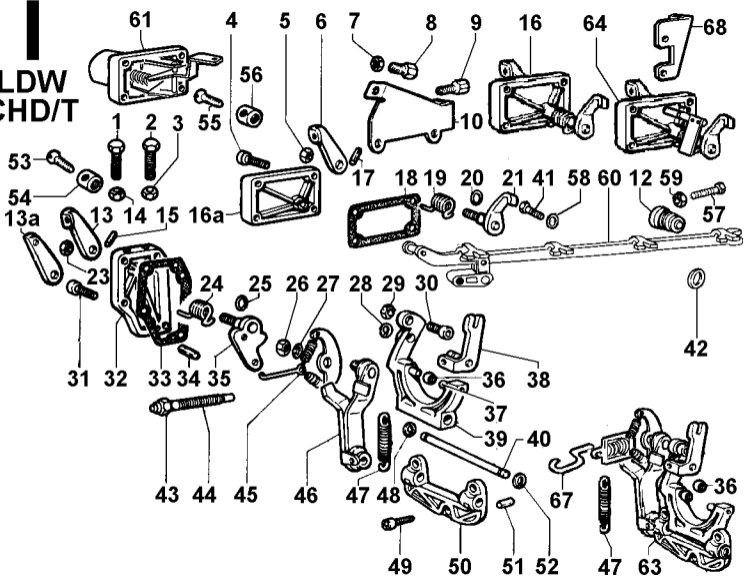


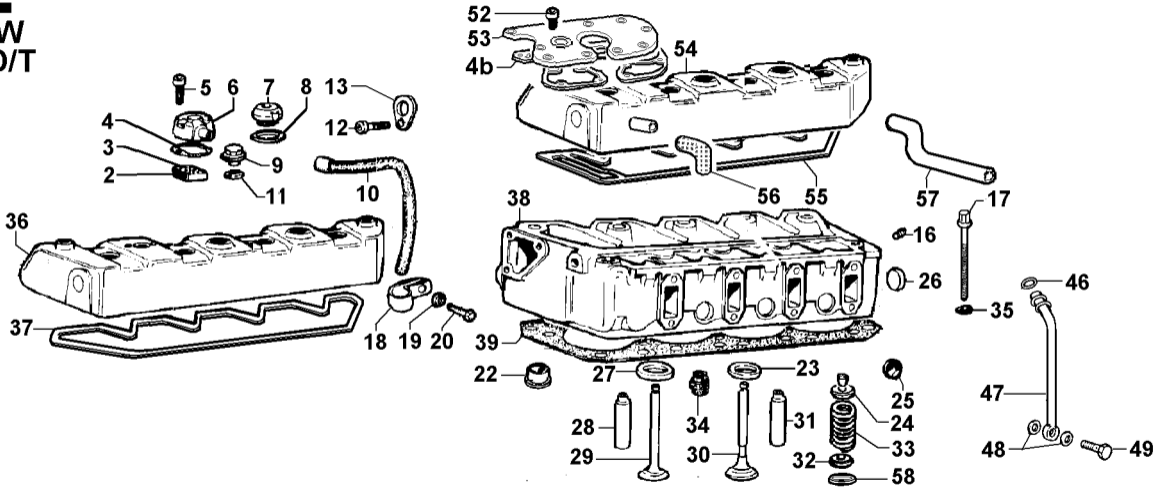
H

LDW
CHD/T



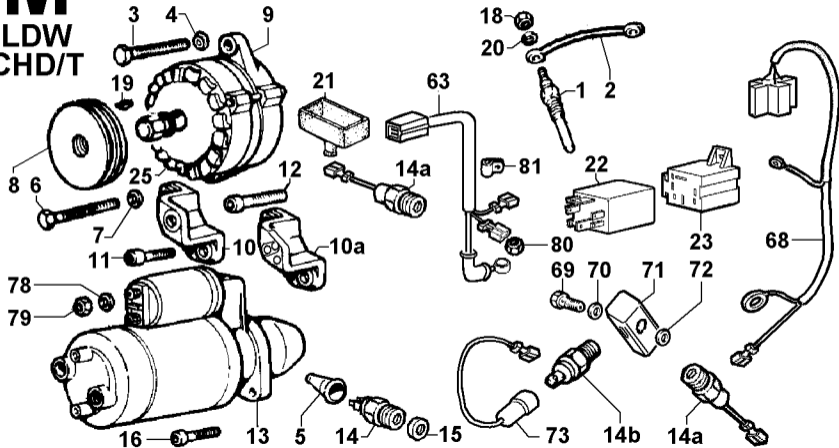
**LDW
CHD/T**



L**LDW
CHD/T**

M

LDW CHD/T



Z
LDW
CHD

