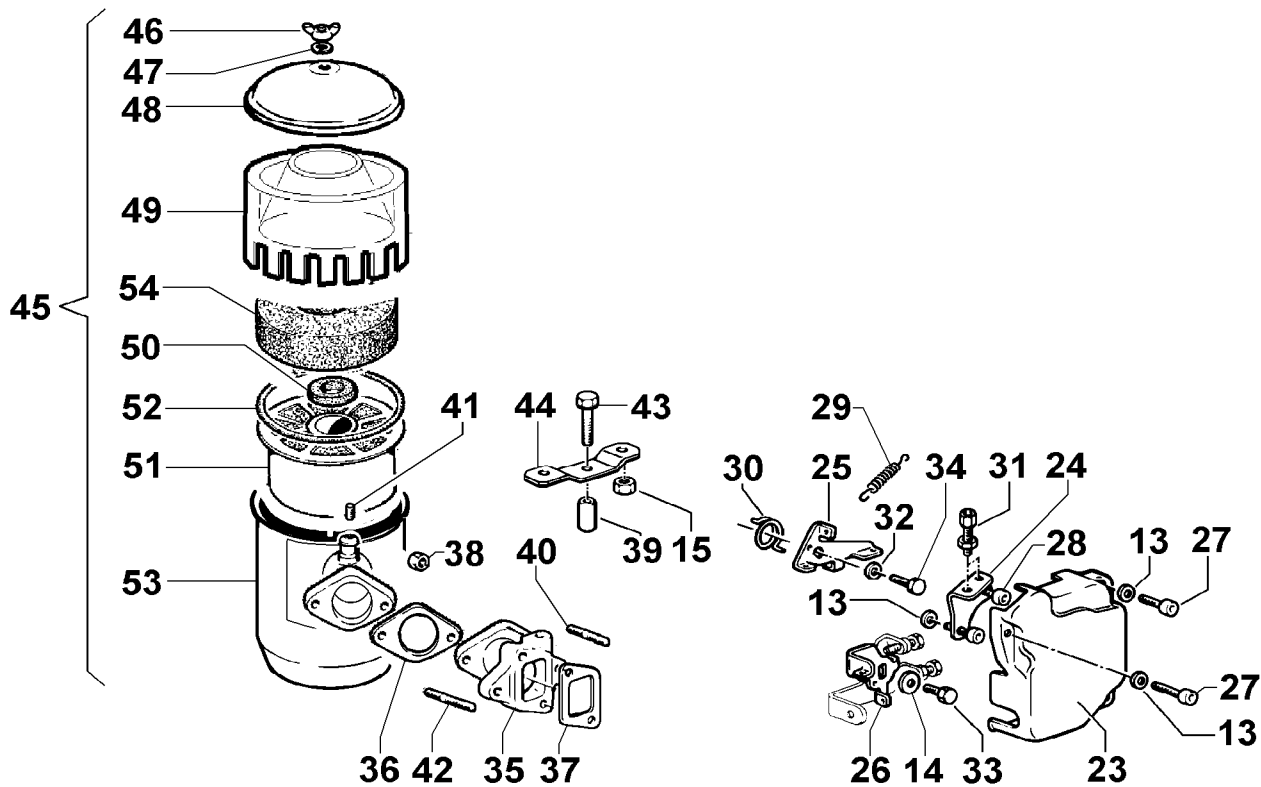
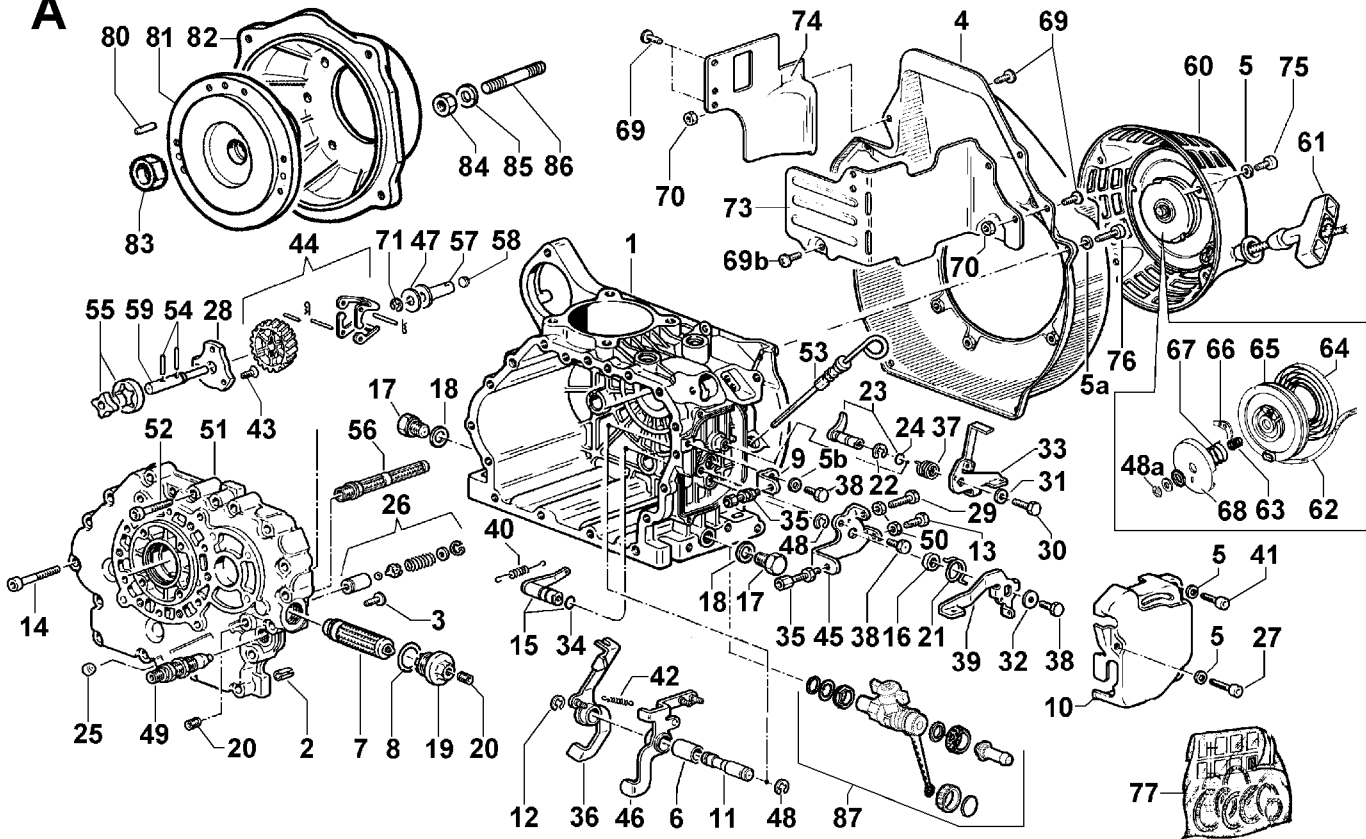
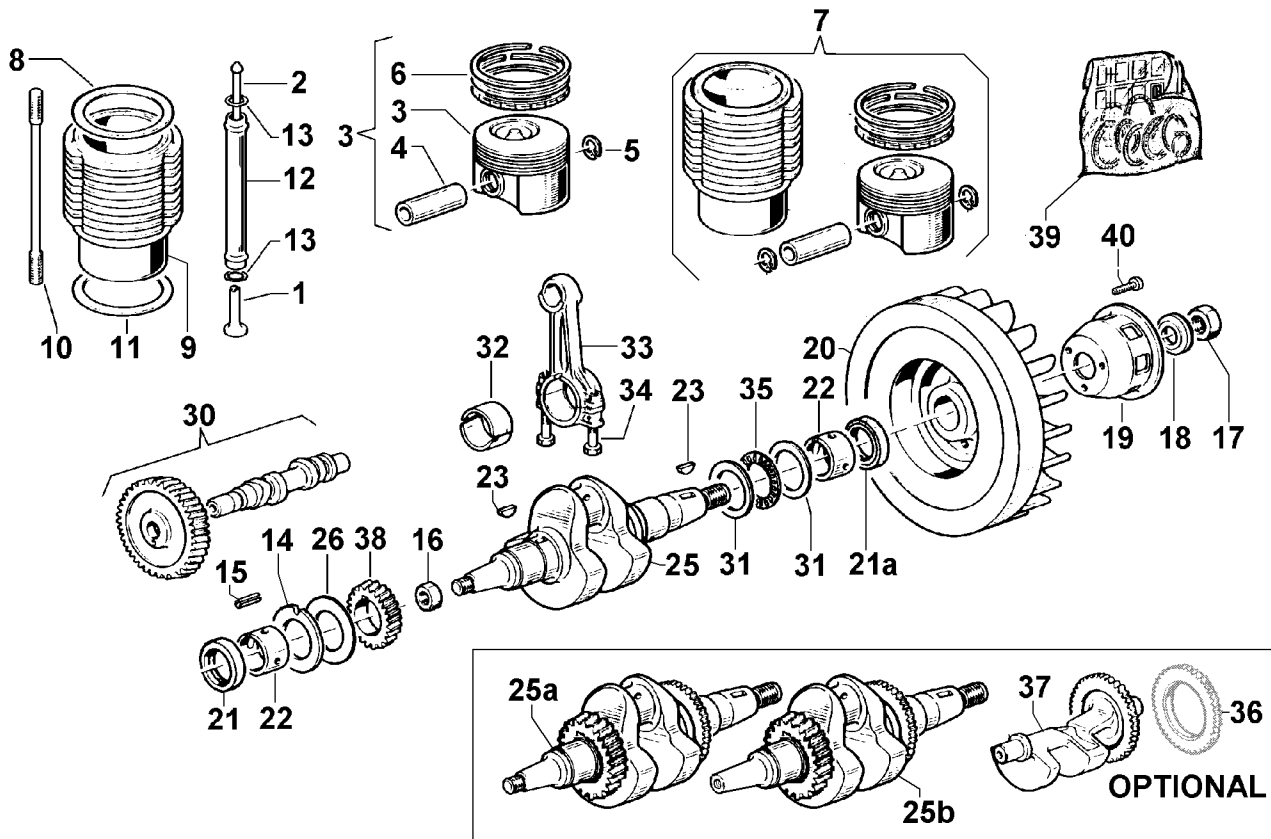
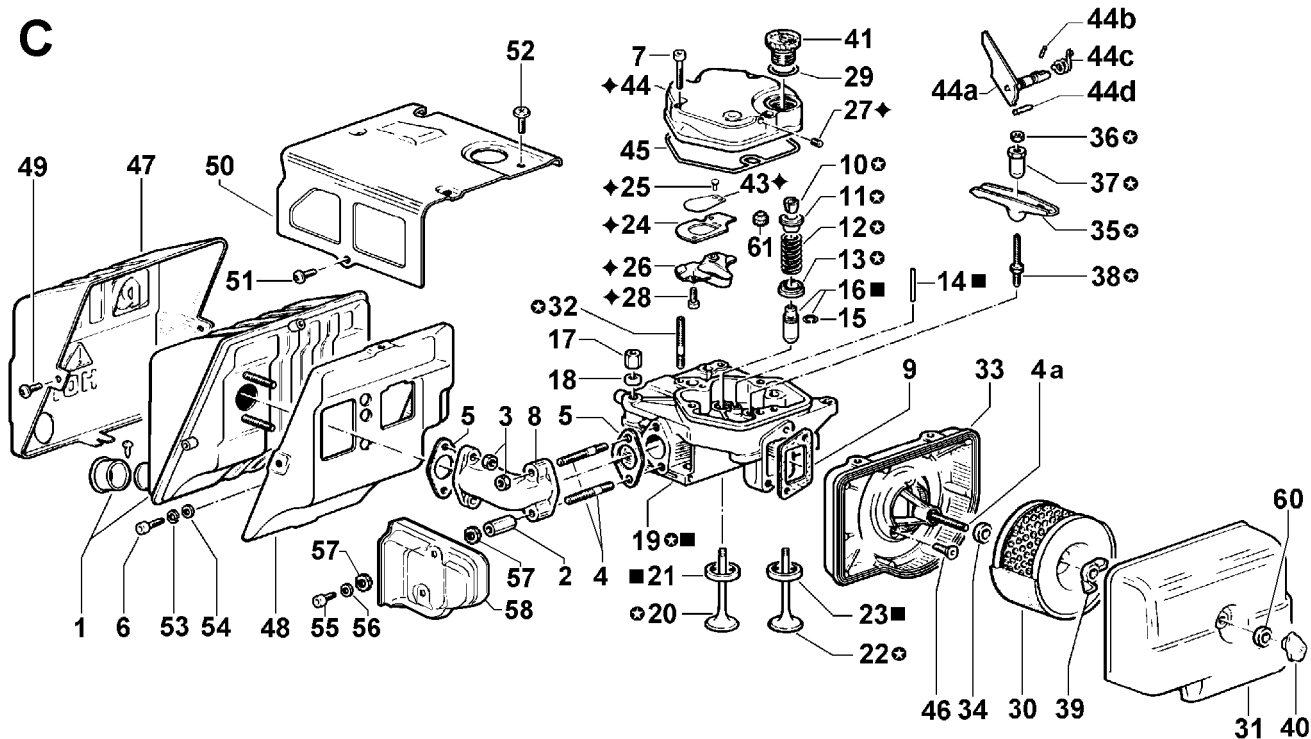


E

A

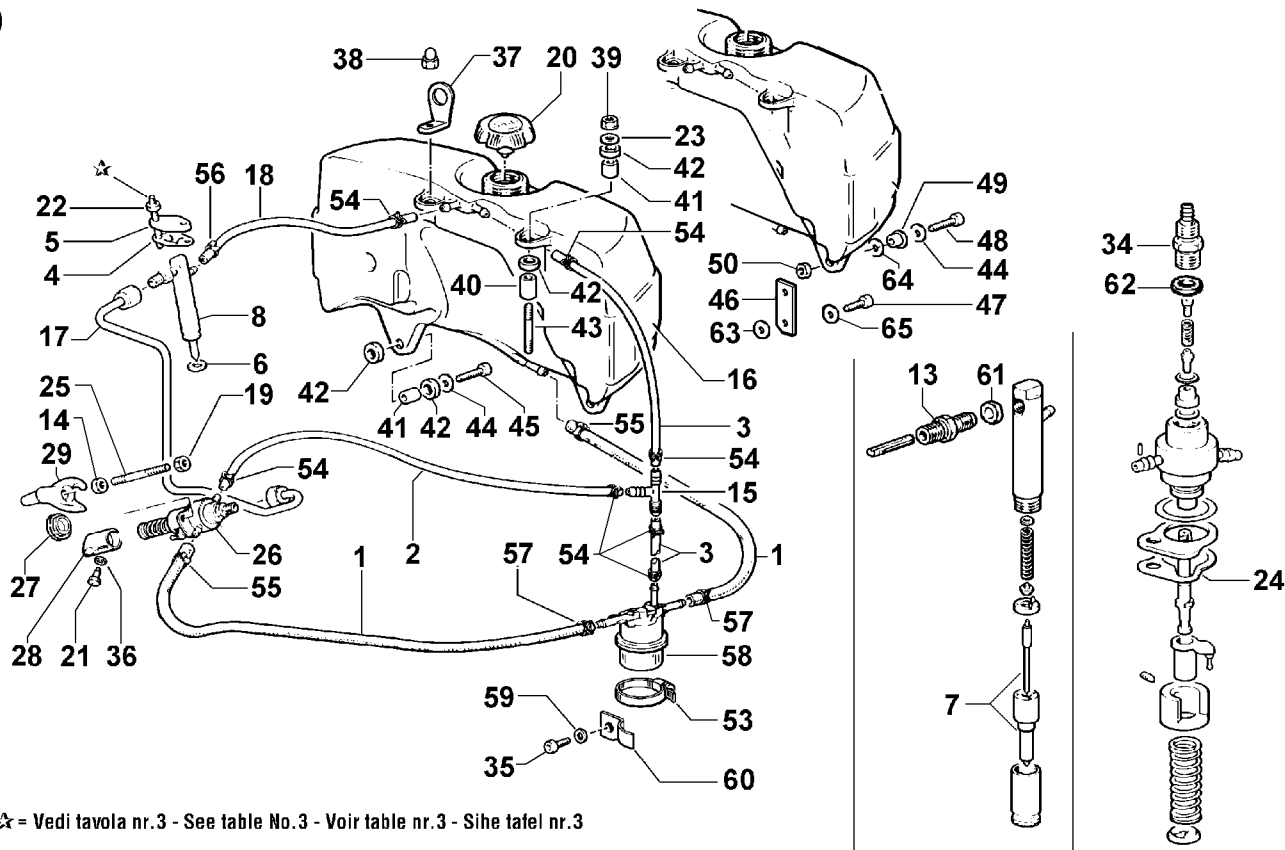
B

C

■ TESTA COMPLETA - COMPLETE CYLINDER HEAD - CULASSE COMPLETE - ZYLINDERKOPF KOMPLETE

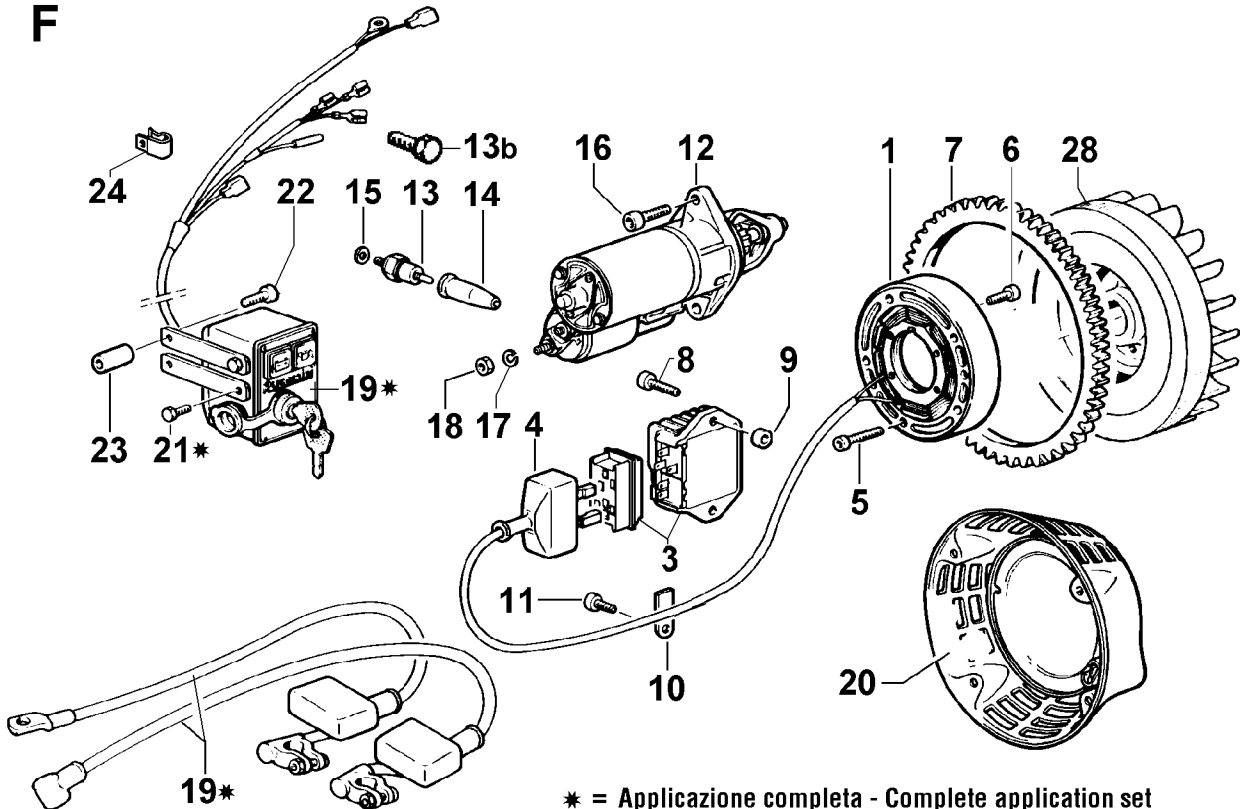
⊕ TESTA CON GUIDE - CYLINDER HEAD WITH GUIDES - CULASSE AVEC GUIDES - ZYLINDERKOPF MIT FÜHRUNG

◆ COPERCHIO BILANCIERII COMPLETO - COMPLETE COVER - COUVERCLE COMPLETE - DECKEL KOMPLETE

D

☆ = Vedi tavola nr.3 - See table No.3 - Voir table nr.3 - Sihe tafel nr.3

F



*** = Applicazione completa - Complete application set
Application complete - Kit**